

**Speaker**

**Model: OSS25-4030-15A2.0W4-C**



**ELECTRICAL SPECIFICATIONS**

	Condition	Parameter	Unit
Sound Pressure Level	at 1W, 0.5M [at 0.8, 1.0, 1.2, 1.5KHz]	86 ± 3	dB
Impedance	at 1V, 1000Hz	4 ± 15%	Ω
Rated Input Power		2	W
Max Input Power		3	W
Resonant Frequency (Fo)	at 1V	800 ± 20%	Hz
Frequency Range		F0 ~ 10000	Hz
Buzzer & Rattles	not be audible at sine wave between 250 ~ 6.7KHz	2.82	V
Operating Temperature		-20 ~ 60	°C
Magnet		Nd-Fe-B	
Frame Material		Plastic	
Cone Material		Paper	
Weight		13	g

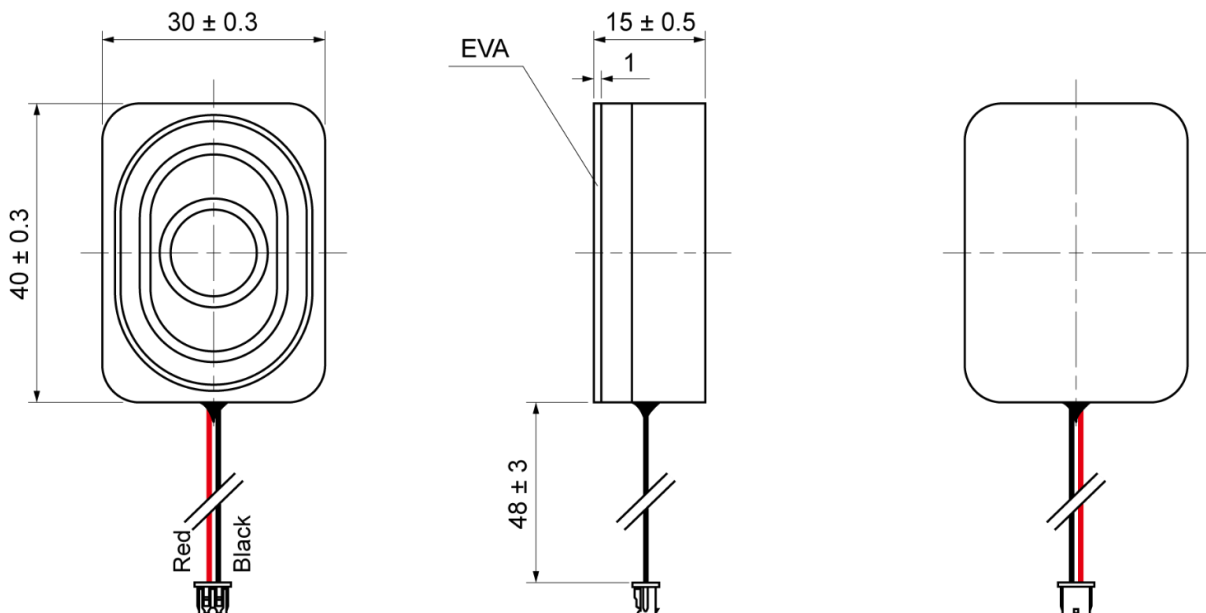
**MECHANICAL DRAWING**

Dimensions in mm

Wire: 48mm UL1571 #28AWG

Tolerance ±0.5mm Except Specified

Connector: substitute JST PHR 2P



**Speaker**

**Model: OSS25-4030-15A2.0W4-C**

**FREQUENCY RESPONSE CURVE**

---

